



## Cabinet Styles

Aspen White	ASP-1
Specifications	ASP-2
White Shaker	WS-1
Specifications	WS-2
Platinum Shaker	PS-1
Specifications	PS-2
West Point Grey	WPG-1
Specifications	WPG-2
Winchester Grey	WIN-1
Specifications	WIN-2
Hickory Shaker	HS-1
Specifications	HS-2

## Wall Cabinets

Single Door	W-1
Double Door	W-2
Blind Corner	W-3
Angled End	W-3
Diagonal Corner	W-4
Spice Drawers	W-4
Microwave	W-5
18" Height	W-5
Single Door 24" Depth	W-6
Double Door 24" Depth	W-6
Decorative Stackers	W-7
Bridge	W-8
Three Drawers	W-8
Refrigerator	W-9
Easy Reach	W-9

## Base Cabinets

Single Door & Drawer Bases	B-1
Double Doors & Single Drawer Bases	B-2
Double Doors & Drawers Bases	B-2
Drawer Bases	B-3
Two Drawer Bases	B-4
Easy Reach Bases	B-4
Farm Sink Base	B-5
Sink Bases	B-5
Diagonal Sink Base	B-6
Microwave Bases	B-6
Blind Corner Base	B-7
Lazy Susan Bases	B-7
Angled End Base	B-8
Tray Base	B-8
Corner Drawers Base	B-9
Spice Drawers & Spice Pull Outs	B-10

## Tall Cabinets

18" Wide Utility/Pantry	T-1
24" Wide Utility/Pantry	T-2
Universal Oven	T-3
18" Split Pantry Bottom	T-4
Three Drawer Wall	T-4

## Vanity Cabinets

Drawer Base Vanities	V-1
Single Door & Drawer	V-1
Sink Base Vanities	V-2
Sink Base Vanities w/ Drawers	V-3
Double Drawers Sink Base Vanities	V-4
Double Sink Base Vanity	V-4

## **Accessories**

Appliance Garage	A-1
Corbels	A-1
Finished Floating Shelves	A-2
Range Hood Fronts	A-2
Single & Diagonal Glass Doors	A-3
Two (Double) Glass Doors	A-4
Under Counter Drawer	A-4
Universal Roll Out Trays	A-5
Toilet Topper Cabinet	A-5
Plate Rack	A-6
Stem Glass Holder	A-6
Wine Rack & Storage Cubes	A-7

## **Panels**

Decorative Wall & Base End Panels	P-1
Decorative Tall & Vanity End Panels	P-2
Island Panel	P-3
Bead Board	P-3
Stained & Edgebanded Panels	P-4
Refrigerator, Wall & Base End Panels	P-5
Wall & Tall Skins	P-6

## **Fillers**

Wall Fillers	F-1
Base Fillers	F-2
Toe Kick	F-3

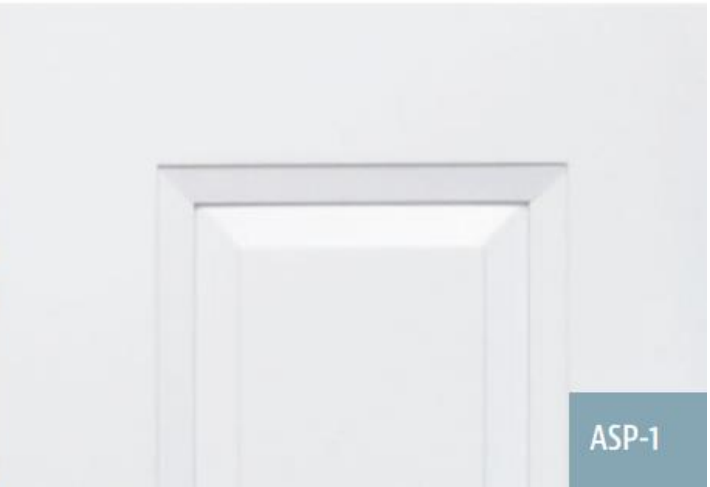
## **Moldings**

Crown & Cove Moldings	M-1
Batten Molding	M-2
Light Rail Molding	M-2
Scribe Molding	M-2
Shoe Molding	M-3
Outside Corner Molding	M-3
Rope Insert	M-3
Arched Valance	M-4
Decorative Base Molding	M-4
Decorative Split Leg Molding	M-4

## *Aspen White (ASP)*



Due to printing variations the pictures may vary slightly from true cabinet color.



ASP-1

# *Aspen White (ASP)*

## *Specifications*



Wood Species	Solid Maple / Birch
Face Frame	Solid Wood
Door Style	Raised Panel (Engineered HDF Construction)
Box Construction	½" Solid Plywood
Drawer Glide	Undermount Soft Close
Drawer Head	5-piece, Matches Door Profile
Drawer Box	¾" Solid Wood Dovetail
Shelves	¾" Adjustable Shelves
Hinges	6 Way Adjustable Soft Close Concealed
Overlay	Full Overlay
Cabinet Interior	Color Matched Box & Shelves with Natural Drawers
Cabinet Exterior	Color Matched

# *White Shaker (WS)*



Due to printing variations the pictures may vary slightly from true cabinet color.



WS-1

# *White Shaker (WS)*

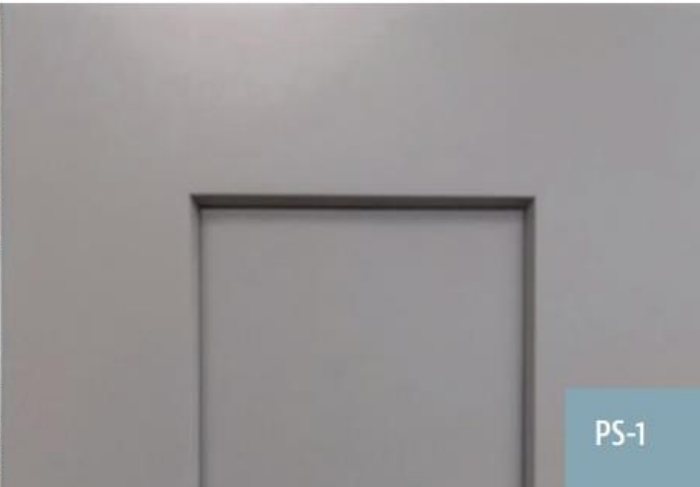
## *Specifications*

Wood Species	Solid Maple / Birch
Face Frame	Solid Wood
Door Style	Shaker Style (Engineered HDF Construction)
Box Construction	½" Solid Plywood
Drawer Glide	Undermount Soft Close
Drawer Head	5-piece, Matches Door Profile
Drawer Box	¾" Solid Wood Dovetail
Shelves	¾" Adjustable Shelves
Hinges	6 Way Adjustable Soft Close Concealed
Overlay	Full Overlay
Cabinet Interior	Natural Box, Shelves and Drawers
Cabinet Exterior	Color Matched

# Platinum Shaker (PS)



Due to printing variations the pictures may vary slightly from true cabinet color.





# *Platinum Shaker (PS)*

## *Specifications*

Wood Species	Solid Maple / Birch
Face Frame	Solid Wood
Door Style	Shaker Style (Engineered HDF Construction)
Box Construction	½" Solid Plywood
Drawer Glide	Undermount Soft Close
Drawer Head	5-piece, Matches Door Profile
Drawer Box	¾" Solid Wood Dovetail
Shelves	¾" Adjustable Shelves
Hinges	6 Way Adjustable Soft Close Concealed
Overlay	Full Overlay
Cabinet Interior	Natural Box, Shelves and Drawers
Cabinet Exterior	Color Matched

# *West Point Grey (WPG)*



Due to printing variations the pictures may vary slightly from true cabinet color.



# *West Point Grey (WPG)*

## *Specifications*

Wood Species	Solid Maple / Birch
Face Frame	Solid Wood
Door Style	Flat Panel with Decorative Edge
Box Construction	½" Solid Plywood
Drawer Glide	Undermount Soft Close
Drawer Head	5-piece, Matches Door Profile
Drawer Box	¾" Solid Wood Dovetail
Shelves	¾" Adjustable Shelves
Hinges	6 Way Adjustable Soft Close Concealed
Overlay	Full Overlay
Cabinet Interior	Natural Box, Shelves and Drawers
Cabinet Exterior	Color Matched

# Winchester Grey (WIN)



Due to printing variations the pictures may vary slightly from true cabinet color.



# Winchester Grey (WIN)

## Specifications

Wood Species	Solid Maple / Birch
Face Frame	Solid Wood
Door Style	Flat Panel with Decorative Edge
Box Construction	½" Solid Plywood
Drawer Glide	Undermount Soft Close
Drawer Head	5-piece, Matches Door Profile
Drawer Box	¾" Solid Wood Dovetail
Shelves	¾" Adjustable Shelves
Hinges	6 Way Adjustable Soft Close Concealed
Overlay	Full Overlay
Cabinet Interior	Natural Box, Shelves and Drawers
Cabinet Exterior	Natural

IMPORTANT: Winchester Grey Cabinets have unfinished sides and will require a wall skin or panel to conceal any exposed cabinet ends

# Hickory Shaker (HS)



Due to printing variations the pictures may vary slightly from true cabinet color.



HS-1

# Hickory Shaker (HS)

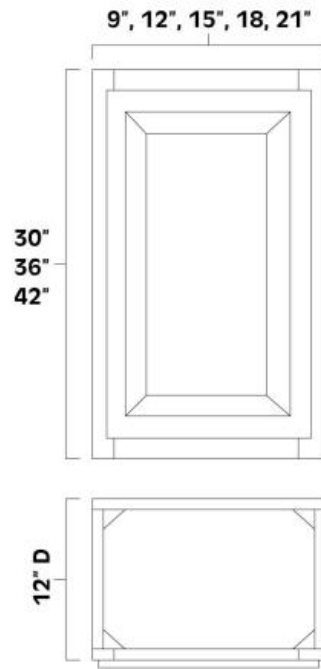
## Specifications

Wood Species	American Hickory
Face Frame	Solid Wood
Door Style	Shaker Style
Box Construction	½" Solid Hickory
Drawer Glide	Undermount Soft Close
Drawer Head	Solid Slab
Drawer Box	¾" Solid Wood Dovetail
Shelves	¾" Adjustable Shelves
Hinges	6 Way Adjustable Soft Close Concealed
Overlay	Full Overlay
Cabinet Interior	Natural Box, Shelves and Drawers
Cabinet Exterior	Natural Hickory

**IMPORTANT:** Hickory Shaker Cabinets have unfinished sides and will require a wall skin or panel to conceal any exposed cabinet ends

# Single Door Wall Cabinets

	W	H	D	TOTAL	DEPTH	AVAILABLE COLORS / STYLE					
	DIMENSIONS					SHELVES	ASP	WS	PS	WPG	WIN
W0930	9"	30"	12"	2	FULL	◆	◆	◆	◆	◆	◆
W0936	9"	36"	12"	2	FULL	◆	◆	◆	◆	◆	◆
W0942	9"	42"	12"	3	FULL	◆	◆	◆	◆	◆	◆
W1230	12"	30"	12"	2	FULL	◆	◆	◆	◆	◆	◆
W1236	12"	36"	12"	2	FULL	◆	◆	◆	◆	◆	◆
W1242	12"	42"	12"	3	FULL	◆	◆	◆	◆	◆	◆
W1530	15"	30"	12"	2	FULL	◆	◆	◆	◆	◆	◆
W1536	15"	36"	12"	2	FULL	◆	◆	◆	◆	◆	◆
W1542	15"	42"	12"	3	FULL	◆	◆	◆	◆	◆	◆
W1830	18"	30"	12"	2	FULL	◆	◆	◆	◆	◆	◆
W1836	18"	36"	12"	2	FULL	◆	◆	◆	◆	◆	◆
W1842	18"	42"	12"	3	FULL	◆	◆	◆	◆	◆	◆
W2130	21"	30"	12"	2	FULL	◆	◆	◆	◆	◆	◆
W2136	21"	36"	12"	2	FULL	◆	◆	◆	◆	◆	◆
W2142	21"	42"	12"	3	FULL	◆	◆	◆	◆	◆	◆



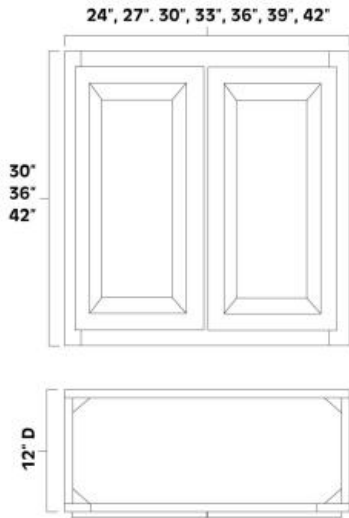
· Full depth adjustable shelves.

Note: Doors may be replaced with corresponding glass door.

W-1



# Double Door Wall Cabinets



	W	H	D	TOTAL	DEPTH	AVAILABLE COLORS / STYLE					
	DIMENSIONS			SHELVES		ASP	WS	PS	WPG	MIN	SH
W2430	24"	30"	12"	2	FULL	◆	◆	◆	◆	◆	◆
W2436	24"	36"	12"	2	FULL	◆	◆	◆	◆	◆	◆
W2442	24"	42"	12"	3	FULL	◆	◆	◆	◆	◆	◆

W2730	27"	30"	12"	2	FULL	◆	◆	◆	◆	◆	◆
W2736	27"	36"	12"	2	FULL	◆	◆	◆	◆	◆	◆
W2742	27"	42"	12"	3	FULL	◆	◆	◆	◆	◆	◆

W3030	30"	30"	12"	2	FULL	◆	◆	◆	◆	◆	◆
W3036	30"	36"	12"	2	FULL	◆	◆	◆	◆	◆	◆
W3042	30"	42"	12"	3	FULL	◆	◆	◆	◆	◆	◆

W3330	33"	30"	12"	2	FULL	◆	◆	◆	◆	◆	◆
W3336	33"	36"	12"	2	FULL	◆	◆	◆	◆	◆	◆
W3342	33"	42"	12"	3	FULL	◆	◆	◆	◆	◆	◆

W3630	36"	30"	12"	2	FULL	◆	◆	◆	◆	◆	◆
W3636	36"	36"	12"	2	FULL	◆	◆	◆	◆	◆	◆
W3642	36"	42"	12"	3	FULL	◆	◆	◆	◆	◆	◆

W3930	39"	30"	12"	2	FULL	◆	◆	◆	◆	◆	◆
W3936	39"	36"	12"	2	FULL	◆	◆	◆	◆	◆	◆
W3942	39"	42"	12"	3	FULL	◆	◆	◆	◆	◆	◆

W4230	42"	30"	12"	2	FULL	◆	◆	◆	◆	◆	◆
W4236	42"	36"	12"	2	FULL	◆	◆	◆	◆	◆	◆
W4242	42"	42"	12"	3	FULL	◆	◆	◆	◆	◆	◆

# Blind Corner Wall Cabinets

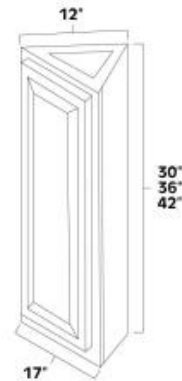


	W	H	D	TOTAL	DEPTH	AVAILABLE COLORS / STYLE					
	DIMENSIONS			SHELVES		ASP	WS	PS	WPG	WIN	HS
WBC2730	27"	30"	12"	2	FULL	♦	♦	♦	♦	♦	♦
WBC2736	27"	36"	12"	2	FULL	♦	♦	♦	♦	♦	♦
WBC2742	27"	42"	12"	3	FULL	♦	♦	♦	♦	♦	♦

- Two fully adjustable shelves.
- 2.5" stile exposed when using 12" deep cabinet on adjacent wall.
- 12" door overlays, 11" frame opening.
- May be used as a right or left blind corner.

Note: May be necessary to pull further to allow clearance for door hardware but not to be pulled further than 3".

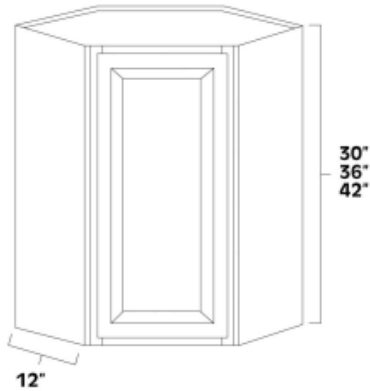
# Angled End Wall Cabinets



	W	H	D	TOTAL	DEPTH	AVAILABLE COLORS / STYLE					
	DIMENSIONS			SHELVES		ASP	WS	PS	WPG	WIN	HS
WCA1230	17"	30"	12"	2	FULL	♦	♦	♦	♦	♦	♦
WCA1236	17"	36"	12"	2	FULL	♦	♦	♦	♦	♦	♦
WCA1242	17"	42"	12"	3	FULL	♦	♦	♦	♦	♦	♦

- Two or Three fully adjustable shelves included

# Diagonal Corner Wall Cabinets



	W	H	D	TOTAL	DEPTH	AVAILABLE COLORS / STYLE					
	DIMENSIONS			SHELVES		ASP	WS	PS	WPG	WIN	HS
WDC2430	24"	30"	12"	2	FULL	♦	♦	♦	♦	♦	♦
WDC2436	24"	36"	12"	2	FULL	♦	♦	♦	♦	♦	♦
WDC2442	24"	42"	12"	3	FULL	♦	♦	♦	♦	♦	♦

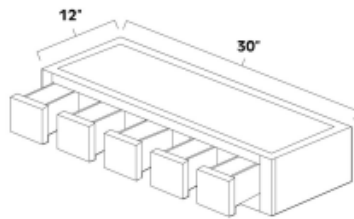
With plain glass (PG) door

WDC42PG	24"	42"	12"	3	FULL	♦	♦	♦	♦	♦	♦
---------	-----	-----	-----	---	------	---	---	---	---	---	---

- Fully adjustable shelves.
- The WDC42PG comes with a plain glass door.

Note: Door may be replaced with corresponding diagonal glass door.

# Spice Drawer Wall Cabinets



	W	H	D	TOTAL	AVAILABLE COLORS / STYLE					
	DIMENSIONS			DRAWERS	ASP	WS	PS	WPG	WIN	HS
WSC30	30"	6"	12"	5	♦	♦	♦	♦	♦	♦

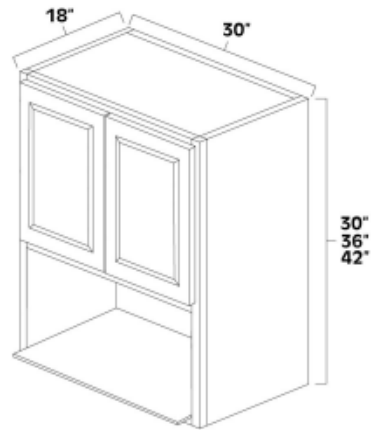
- Cabinet does not include drawer slides.
- Cabinet interior is finished and can be used without the drawers as a wine rack.

Note: Drawers cannot be turned. If drawers are used the cabinet must be installed horizontally for them to function properly.

# Microwave Wall Cabinets

- Butt-style doors.
- For use with "counter" style microwaves.

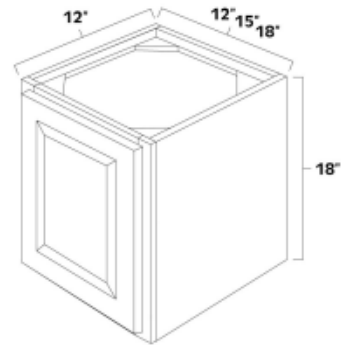
Note: There are no shelves in this cabinet.

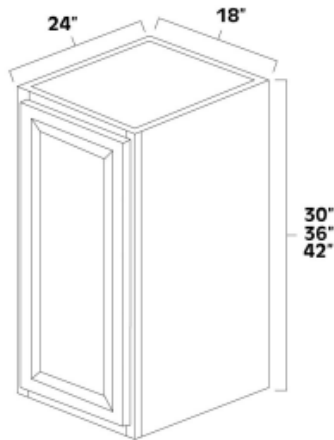


	W	H	D	W	H	D	AVAILABLE COLORS / STYLE					
	CABINET DIMENSIONS			MICROWAVE OPENING			ASP	WS	PS	WPG	WIN	HS
MW3030	30"	30"	18"	26 7/8"	18 1/2"	20"	◆	◆	◆	◆	◆	◆
MW3036	30"	36"	18"	26 7/8"	18 1/2"	20"	◆	◆	◆	◆	◆	◆
MW3042	30"	42"	18"	26 7/8"	18 1/2"	20"	◆	◆	◆	◆	◆	◆

# 18" Height Wall Cabinets

	W	H	D	AVAILABLE COLORS / STYLE					
	DIMENSIONS			ASP	WS	PS	WPG	WIN	HS
SDW1218	12"	18"	12"	◆	◆	◆	◆	◆	◆
SDW1518	15"	18"	12"	◆	◆	◆	◆	◆	◆
SDW1818	18"	18"	12"	◆	◆	◆	◆	◆	◆

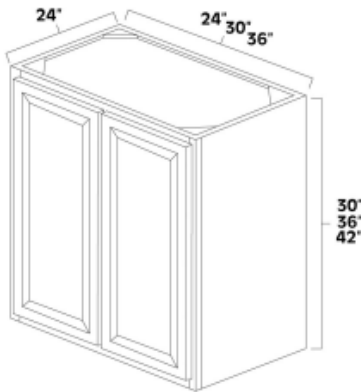




# Single Door 24" Depth Wall Cabinets

	W	H	D	AVAILABLE COLORS / STYLE					
	DIMENSIONS			ASP	WS	PS	WPG	WIN	HS
SDW183024	18"	30"	24"		◆	◆	◆	◆	◆
SDW183624	18"	36"	24"		◆	◆	◆	◆	◆
SDW184224	18"	42"	24"		◆	◆	◆	◆	◆

# Double Door 24" Depth Wall Cabinets

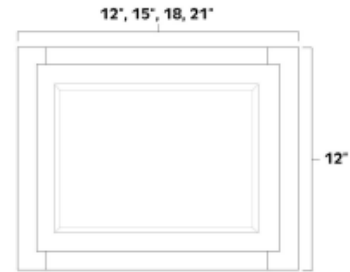


	W	H	D	AVAILABLE COLORS / STYLE					
	DIMENSIONS			ASP	WS	PS	WPG	WIN	HS
DDW243024	24"	30"	24"		◆	◆	◆	◆	◆
DDW243624	24"	36"	24"		◆	◆	◆	◆	◆
DDW244224	24"	42"	24"		◆	◆	◆	◆	◆
DDW303024	30"	30"	24"		◆	◆	◆	◆	◆
DDW303624	30"	36"	24"		◆	◆	◆	◆	◆
DDW304224	30"	42"	24"		◆	◆	◆	◆	◆
DDW363024	36"	30"	24"		◆	◆	◆	◆	◆
DDW363624	36"	36"	24"		◆	◆	◆	◆	◆
DDW364224	36"	42"	24"		◆	◆	◆	◆	◆

# Decorative Stacker Wall Cabinets with Single Plain Glass Door

	W	H	D	AVAILABLE COLORS / STYLE					
	DIMENSIONS			ASP	WS	PS	WPG	WIN	HS
W1212PG	12"	12"	12"	◆	◆	◆	◆	◆	◆
W1512PG	15"	12"	12"	◆	◆	◆	◆	◆	◆
W1812PG	18"	12"	12"	◆	◆	◆	◆	◆	◆
W2112PG	21"	12"	12"		◆	◆	◆	◆	◆

With plain glass (PG)



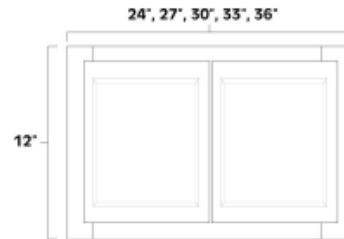
- Plain glass door included.

Note: These cabinets are shipped pre-assembled and do not have any shelves.

# Decorative Stacker Wall Cabinets with Double Plain Glass Doors

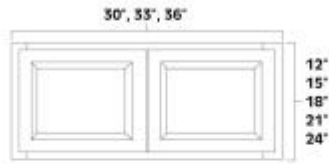
	W	H	D	AVAILABLE COLORS / STYLE					
	DIMENSIONS			ASP	WS	PS	WPG	WIN	HS
W2412PG	12"	12"	12"	◆	◆	◆	◆	◆	◆
W2712PG	15"	12"	12"	◆	◆	◆	◆	◆	◆
W3012PG	18"	12"	12"	◆	◆	◆	◆	◆	◆
W3312PG	21"	12"	12"	◆	◆	◆	◆	◆	◆
W3612PG	36"	12"	12"	◆	◆	◆	◆	◆	◆

With plain glass (PG)



- Plain glass door included.

Note: These cabinets are shipped pre-assembled and do not have any shelves.

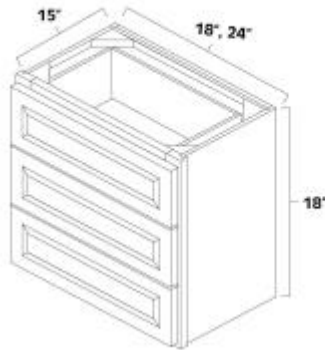


# Bridge Wall Cabinets



- Butt-style doors.
- 24" height bridge cabinets include one adjustable shelf.

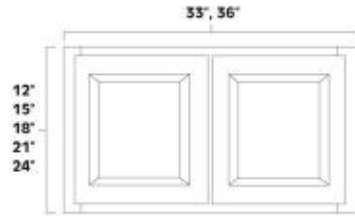
	W	H	D	TOTAL	DEPTH	AVAILABLE COLORS / STYLE					
	DIMENSIONS			SHELVES		ASP	WS	PS	WPG	WIN	HS
W3012	30"	12"	12"	0		♦	♦	♦	♦	♦	♦
W3015	30"	15"	12"	0		♦	♦	♦	♦	♦	♦
W3018	30"	18"	12"	0		♦	♦	♦	♦	♦	♦
W3021	30"	21"	12"	0		♦	♦	♦	♦	♦	♦
W3024	30"	24"	12"	1	FULL	♦	♦	♦	♦	♦	♦
W3312	33"	12"	12"	0		♦	♦	♦	♦	♦	♦
W3315	33"	15"	12"	0		♦	♦	♦	♦	♦	♦
W3318	33"	18"	12"	0		♦	♦	♦	♦	♦	♦
W3321	33"	21"	12"	0		♦	♦	♦	♦	♦	♦
W3324	33"	24"	12"	1	FULL	♦	♦	♦	♦	♦	♦
W3612	36"	12"	12"	0		♦	♦	♦	♦	♦	♦
W3615	36"	15"	12"	0		♦	♦	♦	♦	♦	♦
W3618	36"	18"	12"	0		♦	♦	♦	♦	♦	♦
W3621	36"	21"	12"	0		♦	♦	♦	♦	♦	♦
W3624	36"	24"	12"	1	FULL	♦	♦	♦	♦	♦	♦



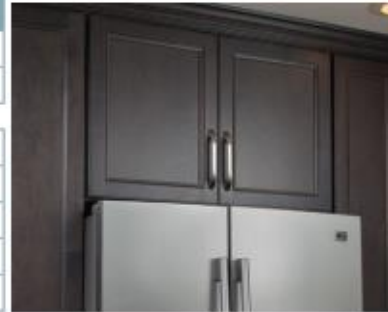
# Three Drawer Wall Cabinets

	W	H	D	AVAILABLE COLORS / STYLE					
	DIMENSIONS			ASP	WS	PS	WPG	WIN	HS
W3DR18	18"	18"	15"	♦	♦	♦	♦	♦	♦
W3DR24	24"	18"	15"	♦	♦	♦	♦	♦	♦

# Refrigerator Wall Cabinets



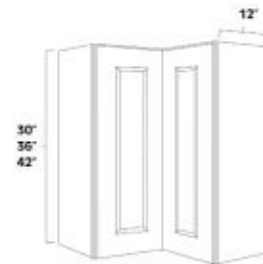
	W	H	D	TOTAL	DEPTH	AVAILABLE COLORS / STYLE					
	DIMENSIONS			SHELVES		ASP	WS	IS	WPG	WIN	HS
WR3315	33"	15"	24"	0		♦	♦	♦	♦	♦	♦
WR3324	33"	24"	24"	1	FULL	♦	♦	♦	♦	♦	♦
WR3612	36"	12"	24"	0		♦	♦	♦	♦	♦	♦
WR3615	36"	15"	24"	0		♦	♦	♦	♦	♦	♦
WR3618	36"	18"	24"	0		♦	♦	♦	♦	♦	♦
WR3621	36"	21"	24"	0		♦	♦	♦	♦	♦	♦
WR3624	36"	24"	24"	1	FULL	♦	♦	♦	♦	♦	♦



· Butt-style doors.

Note: There are no shelves or drawers included in this cabinet.

# Easy Reach Wall Cabinets



	W	H	D	AVAILABLE COLORS / STYLE					
	DIMENSIONS			ASP	WS	IS	WPG	WIN	HS
WER2430	24"	30"	12"	♦	♦	♦	♦	♦	♦
WER2436	24"	36"	12"	♦	♦	♦	♦	♦	♦
WER2442	24"	42"	12"	♦	♦	♦	♦	♦	♦



· Two fully adjustable shelves

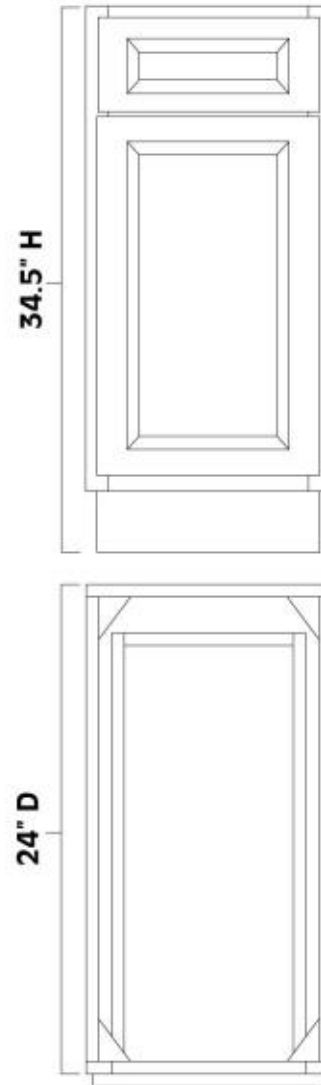


# Single Door & Drawer Base Cabinets

	W	H	D	TOTAL DEPTH		AVAILABLE COLORS / STYLE					
	DIMENSIONS			SHELVES		dSV	SM	SP	SW	NIM	SH
B12	12"	34 ½"	24"	1	HALF	♦	♦	♦	♦	♦	♦
B15	15"	34 ½"	24"	1	HALF	♦	♦	♦	♦	♦	♦
B18	18"	34 ½"	24"	1	HALF	♦	♦	♦	♦	♦	♦
B21	21"	34 ½"	24"	1	HALF	♦	♦	♦	♦	♦	♦



Note: Any base cabinet 12" to 48" may be used as a sink base cabinet by simply not installing the drawer hardware and attaching only the drawer face(s) to the cabinet as a false front.

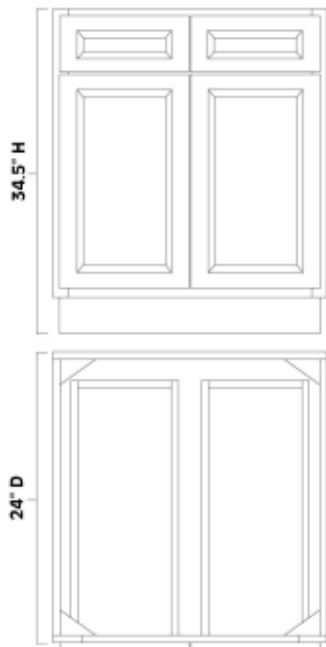




## Double Doors & Single Drawer Base Cabinets

	W	H	D	TOTAL	DEPTH	AVAILABLE COLORS / STYLE					
	DIMENSIONS			SHELVES		ASP	WS	RS	WPG	WIN	HS
B24	24"	34 ½"	24"	1	HALF	♦	♦	♦	♦	♦	♦
B27	27"	34 ½"	24"	1	HALF	♦	♦	♦	♦	♦	♦

- Adjustable shelf.
- Butt-style doors on both 24" and 27" wide.



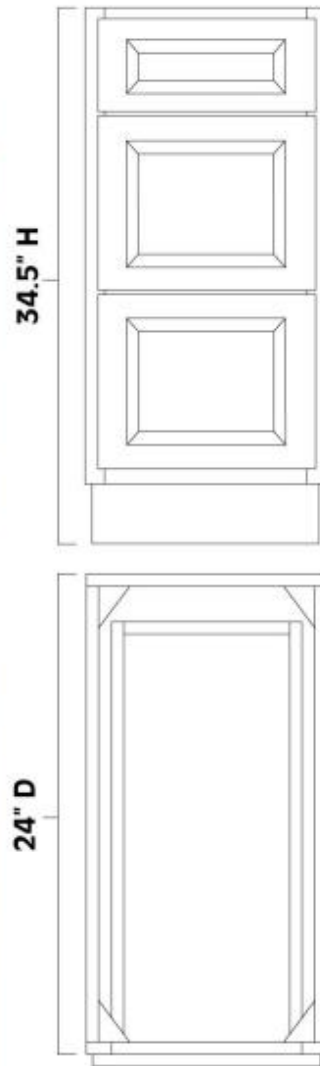
## Double Doors & Drawers Base Cabinets

	W	H	D	TOTAL	DEPTH	AVAILABLE COLORS / STYLE					
	DIMENSIONS			SHELVES		ASP	WS	RS	WPG	WIN	HS
B30	30"	34 ½"	24"	1	HALF	♦	♦	♦	♦	♦	♦
B33	33"	34 ½"	24"	1	HALF	♦	♦	♦	♦	♦	♦
B36	36"	34 ½"	24"	1	HALF	♦	♦	♦	♦	♦	♦
B39	39"	34 ½"	24"	1	HALF	♦	♦	♦	♦	♦	♦
B42	42"	34 ½"	24"	1	HALF	♦	♦	♦	♦	♦	♦
B48	48"	34 ½"	24"	1	HALF	♦	♦	♦	♦	♦	♦

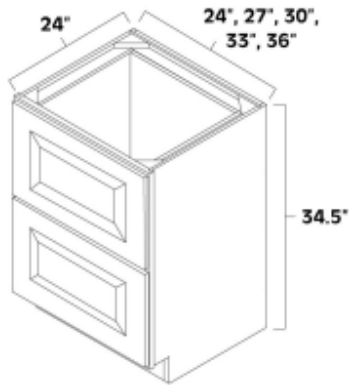
- Half depth adjustable shelf.
- Butt-style doors on 30" through 36" wide bases.

# Drawer Base Cabinets

	W	H	D	TOTAL	AVAILABLE COLORS / STYLE					
	DIMENSIONS			DRAWERS	AS*	WS	PC	GR*	NM	SH
DB12	12"	34 ½"	24"	3	◆	◆	◆	◆	◆	◆
DB15	15"	34 ½"	24"	3	◆	◆	◆	◆	◆	◆
DB18	18"	34 ½"	24"	3	◆	◆	◆	◆	◆	◆
DB21	21"	34 ½"	24"	3	◆	◆	◆	◆	◆	◆
DB24	24"	34 ½"	24"	3	◆	◆	◆	◆	◆	◆
DB30	30"	34 ½"	24"	3	◆	◆	◆	◆	◆	◆
DB36	36"	34 ½"	24"	3	◆	◆	◆	◆	◆	◆



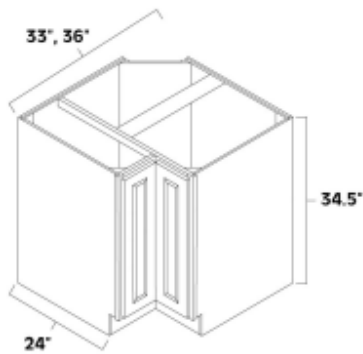
- One standard depth top drawer.
- Two deep depth bottom drawers.



# Two Drawer Base Cabinets

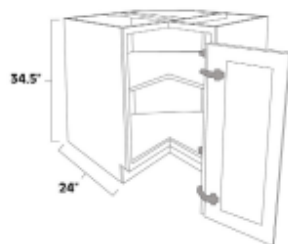
	W	H	D	AVAILABLE COLORS / STYLE					
	DIMENSIONS			ASP	WS	PS	WPG	WIN	SH
2DB24	24"	34 1/2"	24"	◆	◆	◆	◆	◆	◆
2DB27	27"	34 1/2"	24"	◆	◆	◆	◆	◆	◆
2DB30	30"	34 1/2"	24"	◆	◆	◆	◆	◆	◆
2DB33	33"	34 1/2"	24"	◆	◆	◆	◆	◆	◆
2DB36	36"	34 1/2"	24"	◆	◆	◆	◆	◆	◆

• Two fully functioning deep drawers.



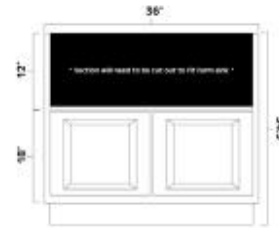
# Easy Reach Base Cabinets

	W	H	D	AVAILABLE COLORS / STYLE					
	DIMENSIONS			ASP	WS	PS	WPG	WIN	SH
BER33	33"	34 1/2"	24"	◆	◆	◆	◆	◆	◆
BER36	36"	34 1/2"	24"	◆	◆	◆	◆	◆	◆



• Fully adjustable shelf

# Farm Sink Base Cabinets



	W	H	D	W	H	AVAILABLE COLORS / STYLE					
	DIMENSIONS			SINK OPENING		ASP	WS	PS	WPG	WN	HS
FSB36	36"	34 1/2"	24"	36"	12"	◆	◆	◆	◆	◆	◆



- (x2) 18" high cabinet doors.
- There are no shelves or drawers in this cabinet.

# Sink Base Cabinets

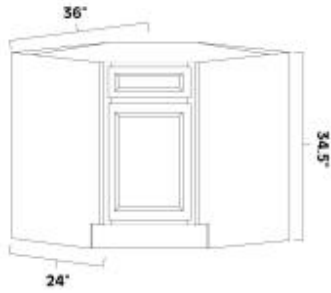


	W	H	D	AVAILABLE COLORS / STYLE					
	DIMENSIONS			ASP	WS	PS	WPG	WN	HS
SB33	33"	34 1/2"	24"	◆	◆	◆	◆	◆	◆
SB36	36"	34 1/2"	24"	◆	◆	◆	◆	◆	◆



- Butt-style doors.

Note: Any base cabinet 12" to 48" may be used as a sink base cabinet by simply not installing the drawer hardware and attaching only the drawer face(s) to the cabinet as a false front.

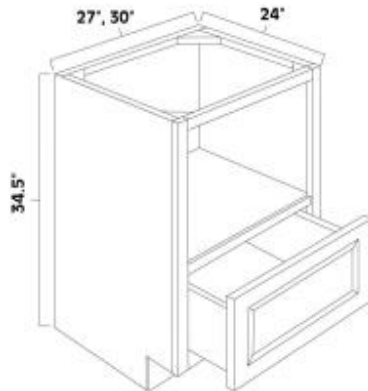


# Diagonal Sink Base Cabinets

	W	H	D	AVAILABLE COLORS / STYLE					
	DIMENSIONS			ASP	WS	RS	WPC	WIN	HS
DCSB36	36"	34 ½"	24"	♦	♦	♦	♦	♦	♦

Note: There are no shelves or drawers in this cabinet.

# Microwave Base Cabinets

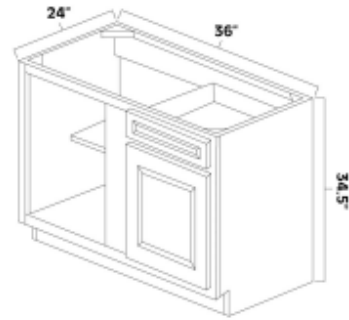


	W	H	D	W	H	TOTAL	AVAILABLE COLORS / STYLE					
	DIMENSIONS			MICROWAVE OPENING		DRAWERS	ASP	WS	RS	WPC	WIN	HS
BMC27	27"	34 ½"	24"	24"	15 ½"	1	♦	♦	♦	♦	♦	♦
BMC30	30"	34 ½"	24"	27"	15 ½"	1	♦	♦	♦	♦	♦	♦

• Dovetail drawer construction.

# Blind Corner Base Cabinets

	W	H	D	TOTAL	DEPTH	AVAILABLE COLORS / STYLE					
	DIMENSIONS			SHELVES		ASP	WS	RS	WPG	WIN	HS
BBC36	24"	12"	12"	1	HALF	♦	♦	♦	♦	♦	♦

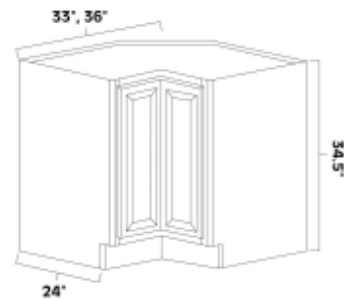


- Adjustable to 45" wide.
- May not be pulled farther than 9".
- 12-7/8" door overlays.
- 11-7/8" frame opening.
- May be used as a right (R) or left (L) blind setup.
- Full overlay cabinets must be pulled a minimum of 4".
- Remaining styles must be pulled a minimum of 3".

Note: May be necessary to pull further to allow clearance for door and drawer hardware.

# Lazy Susan Base Cabinets

	W	H	D	AVAILABLE COLORS / STYLE					
	DIMENSIONS			ASP	WS	RS	WPG	WIN	HS
LS3312	33"	34 1/2"	24"	♦	♦	♦	♦	♦	♦
LS3612	36"	34 1/2"	24"	♦	♦	♦	♦	♦	♦



- Stainless steel baskets are standard.
- Both baskets are height adjustable.
- Doors may be mounted to open right or left.



# Anged End Base Cabinets



	W	H	D	AVAILABLE COLORS / STYLE					
	DIMENSIONS			ASP	WS	PS	WPG	WIN	HS
BA24	24"	34 1/2"	24"	◆	◆	◆	◆	◆	◆

- (x2) 18-1/4" door fronts.
- One adjustable shelf.
- Doors can be replaced with 18" x 30" glass doors.



# Tray Base Cabinets

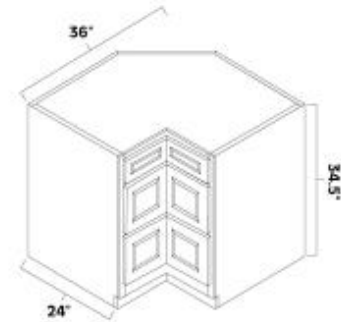
	W	H	D	AVAILABLE COLORS / STYLE					
	DIMENSIONS			ASP	WS	PS	WPG	WIN	HS
TB09	9"	34 1/2"	24"	◆	◆	◆	◆	◆	◆

- This cabinet is great for trays and cookie sheets.
- No shelved included in this cabinet.



# Corner Drawer Base Cabinets

	W	H	D	AVAILABLE COLORS / STYLE					
	DIMENSIONS			ASP	WS	PS	WRG	WIN	HS
CDB36	36"	34 1/2"	24"	◆	◆	◆	◆	◆	◆



- Three fully functioning drawers with full extension slides.
- One standard drawer on top and two deep bottom drawers.



# Spice Drawers Base Cabinets



	W	H	D	AVAILABLE COLORS / STYLE					
	DIMENSIONS			ASP	WS	PS	WPG	WIN	HS
BSD6	6"	34 ½"	24"	♦	♦	♦	♦	♦	♦

- Cabinet does not include drawer slides.
- Cabinet interior is finished and can be used without the drawers as a wine rack.

# Spice Pull Out Base Cabinets



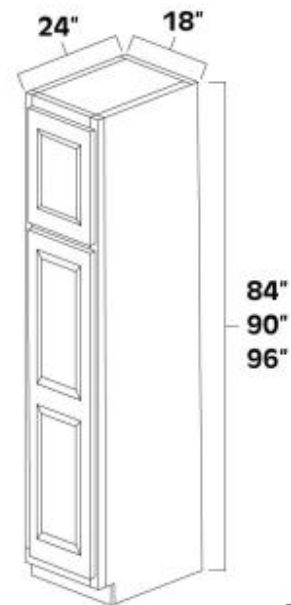
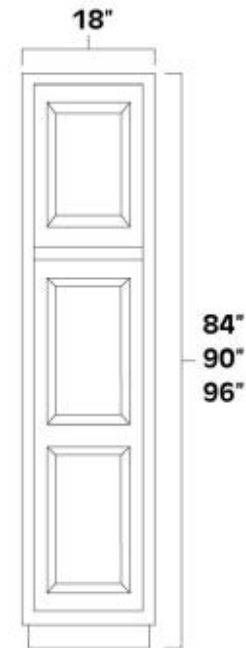
	W	H	D	AVAILABLE COLORS / STYLE					
	DIMENSIONS			ASP	WS	PS	WPG	WIN	HS
BSR9	9"	34 ½"	24"	♦	♦	♦	♦	♦	♦
BSR12	12"	34 ½"	24"	♦	♦	♦	♦	♦	♦

# 18" Utility/Pantry Tall Cabinets

	W	H	D	TOTAL	TOTAL	AVAILABLE COLORS / STYLE					
	DIMENSIONS			SHELVES	DOORS	ASP	WIS	PC	WPC	MIN	HS
UC1884	18"	84"	24"	4	2	♦	♦	♦	♦	♦	♦
UC1890	18"	90"	24"	4	2	♦	♦	♦	♦	♦	♦
UC1896	18"	96"	24"	4	2	♦	♦	♦	♦	♦	♦



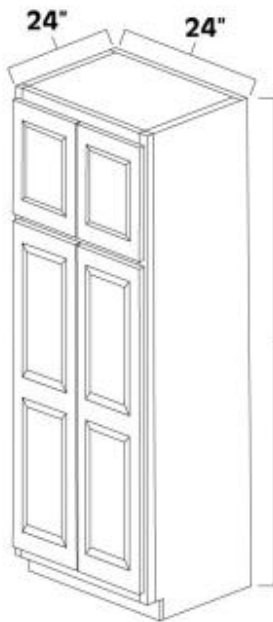
- Includes four adjustable shelves that may be used in either the top or bottom section.
- Bottom section of this cabinet measures 54" tall.



# 24" Utility/Pantry Tall Cabinets



84"  
90"  
96"



84"  
90"  
96"

	W	H	D	TOTAL	TOTAL	AVAILABLE COLORS / STYLE					
	DIMENSIONS			SHELVES	DOORS	ASP	WS	CS	WPG	WIN	HS
UC2484	24"	84"	24"	4	4	♦	♦	♦	♦	♦	♦
UC2490	24"	90"	24"	4	4	♦	♦	♦	♦	♦	♦
UC2496	24"	96"	24"	4	4	♦	♦	♦	♦	♦	♦



- Includes four adjustable shelves that may be used in either the top or bottom section.
- Bottom section of this cabinet measures 54" tall.

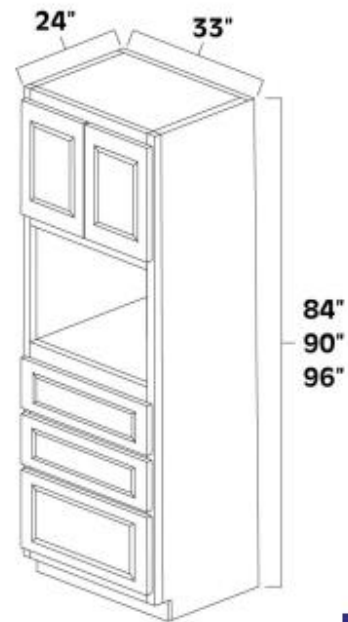
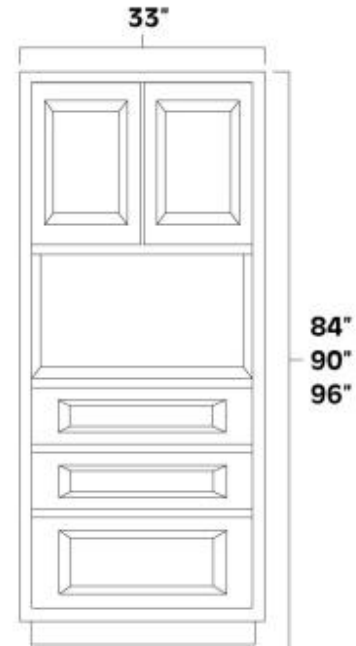
# Universal Oven Tall Cabinets

	W	H	D	TOTAL	TOTAL	AVAILABLE COLORS / STYLE					
	DIMENSIONS			DRAWERS	DOORS	ASP	WS	K	WdG	WIN	HS
UOC3384	33"	84"	24"	3	2	♦	♦	♦	♦	♦	♦
UOC3390	33"	90"	24"	3	2	♦	♦	♦	♦	♦	♦
UOC3396	33"	96"	24"	3	2	♦	♦	♦	♦	♦	♦



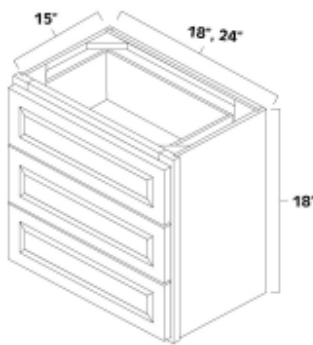
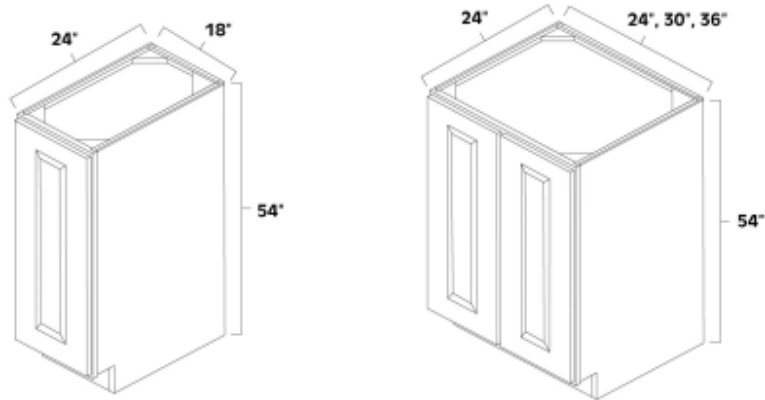
- Fits any standard size oven.
- Butt-style doors.
- Top two drawers are standard with one deep bottom drawer.

Note: The top two drawers of this cabinet may be removed to accommodate a variety of configurations; single oven, double oven or a oven/microwave combination.



# 18" Split Pantry Bottom Base Cabinets

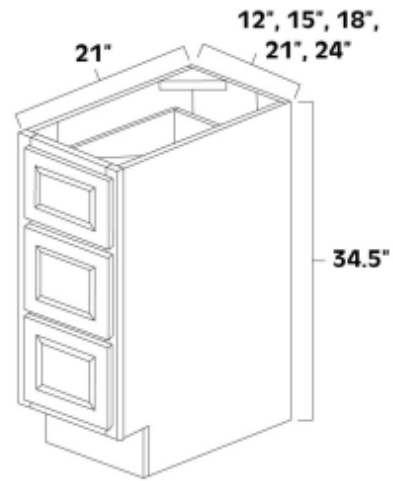
	W	H	D	TOTAL	AVAILABLE COLORS / STYLE					
	DIMENSIONS			DOORS	ASP	WS	FS	WPG	WIN	HS
UCB1854	18"	54"	24"	1		♦	♦	♦	♦	♦
UCB2454	24"	54"	24"	2		♦	♦	♦	♦	♦
UCB3054	30"	54"	24"	2		♦	♦	♦	♦	♦
UCB3654	36"	54"	24"	2		♦	♦	♦	♦	♦



# Three Drawer Wall Cabinets

	W	H	D	AVAILABLE COLORS / STYLE					
	DIMENSIONS			ASP	WS	FS	WPG	WIN	HS
W3DR18	18"	18"	15"		♦	♦	♦	♦	♦
W3DR24	24"	18"	15"		♦	♦	♦	♦	♦

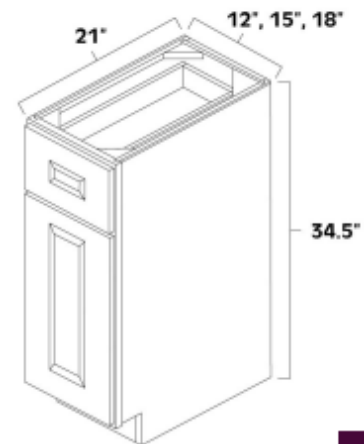
# Drawer Base Vanity Cabinets



	W	H	D	TOTAL	AVAILABLE COLORS / STYLE					
	DIMENSIONS			DRAWERS	ASP	WS	PS	WPG	WIN	HS
VDB1221	12"	34 ½"	21"	3	♦	♦	♦	♦	♦	♦
VDB1521	15"	34 ½"	21"	3	♦	♦	♦	♦	♦	♦
VDB1821	18"	34 ½"	21"	3	♦	♦	♦	♦	♦	♦
VDB2121	21"	34 ½"	21"	3	♦	♦	♦	♦	♦	♦
VDB2421	24"	34 ½"	21"	3	♦	♦	♦	♦	♦	♦

- Three fully functioning drawers with full extension slides.
- One standard drawer on top and two deep bottom drawers.

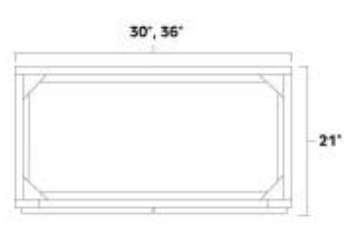
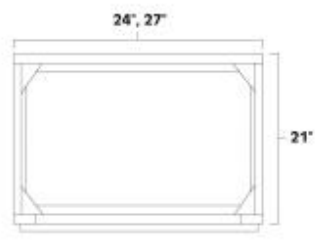
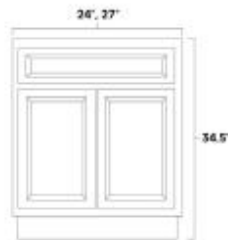
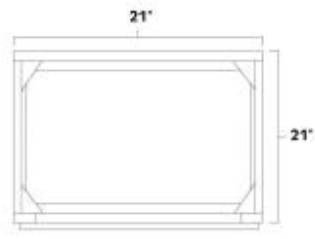
# Vanity Cabinets Single Door & Drawer



	W	H	D	AVAILABLE COLORS / STYLE					
	DIMENSIONS			ASP	WS	PS	WPG	WIN	HS
VB12	12"	34 ½"	21"		♦	♦	♦	♦	♦
VB15	15"	34 ½"	21"		♦	♦	♦	♦	♦
VB18	18"	34 ½"	21"		♦	♦	♦	♦	♦

V-1

# Sink Base Vanity Cabinets



	W	H	D	TOTAL	TOTAL	TOTAL	AVAILABLE COLORS / STYLE					
	DIMENSIONS			DOORS	SHELVES	DRAWERS	ASP	WS	PS	MPG	WIN	HS
V2121	21"	34 1/2"	21"	1	0	0	♦	♦	♦	♦	♦	♦
V2421	24"	34 1/2"	21"	1	0	0	♦	♦	♦	♦	♦	♦
V2721	27"	34 1/2"	21"	2	0	0	♦	♦	♦	♦	♦	♦
V3021	30"	34 1/2"	21"	2	0	0	♦	♦	♦	♦	♦	♦
V3621	36"	34 1/2"	21"	2	0	0	♦	♦	♦	♦	♦	♦

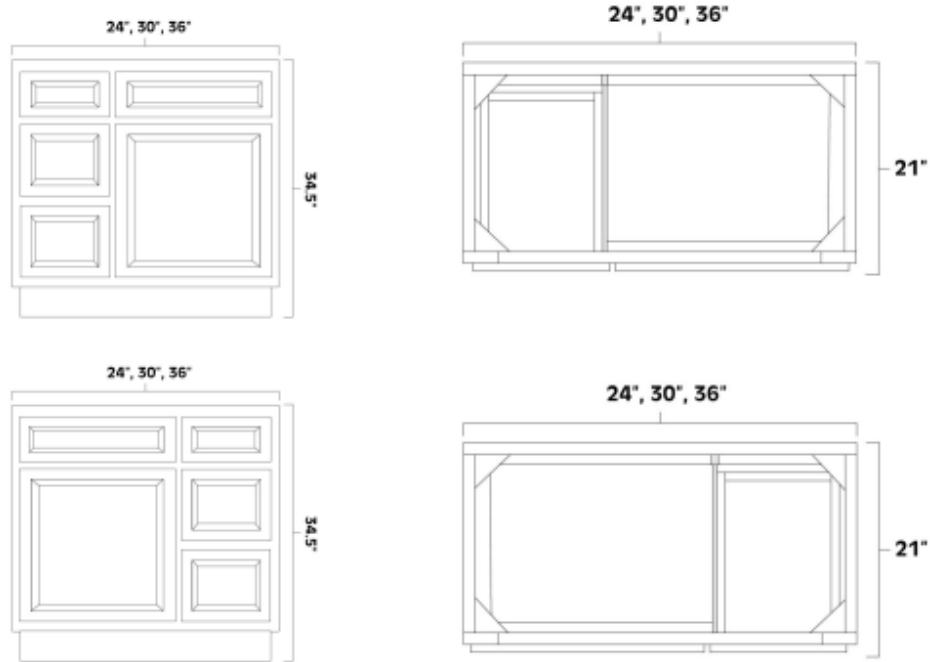
· Butt-style doors.

Note: There are no shelves or drawers included in this cabinet.

V-2



# Sink Base Vanity Cabinets with Drawers

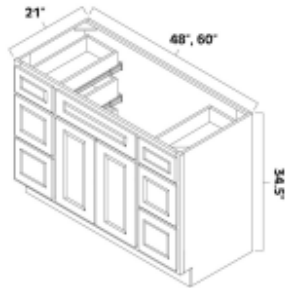


	W	H	D	TOTAL	SIDE	TOTAL	TOTAL	AVAILABLE COLORS / STYLE					
	DIMENSIONS			DOORS		SHELVES	DRAWERS	ASP	WS	PS	WPG	WIN	HS
V2421DL	24"	34 1/2"	21"	1	LEFT	0	2	◆	◆	◆	◆	◆	◆
V2421DR	24"	34 1/2"	21"	1	RIGHT	0	2	◆	◆	◆	◆	◆	◆
V3021DL	30"	34 1/2"	21"	1	LEFT	0	2	◆	◆	◆	◆	◆	◆
V3021DR	30"	34 1/2"	21"	1	RIGHT	0	2	◆	◆	◆	◆	◆	◆
V3621DL	36"	34 1/2"	21"	1	LEFT	0	2	◆	◆	◆	◆	◆	◆
V3621DR	36"	34 1/2"	21"	1	RIGHT	0	2	◆	◆	◆	◆	◆	◆

- Two deep fully functioning bottom drawers.
- One top false drawer front.

Note: There are no shelves included in this cabinet & only the bottom two drawers are fully functional.

# Sink Base Vanity Cabinets with Double Drawers

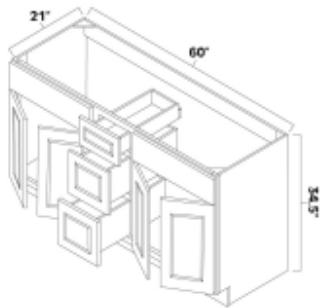


- Six fully functional drawers
- Top drawers on each side are standard depth.
- Bottom drawers on each side are deep depth.
- Butt-style doors.

Note: There are no shelves included in this cabinet.

	W	H	D	TOTAL	SIDE	TOTAL	TOTAL	AVAILABLE COLORS / STYLE					
	DIMENSIONS			DOORS		SHELVES	DRAWERS	ASP	WS	R	WPG	WIN	HS
V4821DD	48"	34 1/2"	21"	2	CENTER	0	6	♦	♦	♦	♦	♦	♦
V6021DD	60"	34 1/2"	21"	2	CENTER	0	6	♦	♦	♦	♦	♦	♦

# Double Sink Base Vanity Cabinets

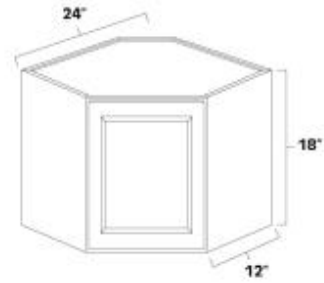


- Three fully functional drawers; one standard depth top drawer and two deep depth bottom drawers.
- Butt-style doors.

Note: There are no shelves included in this cabinet.

	W	H	D	TOTAL	SIDE	TOTAL	TOTAL	AVAILABLE COLORS / STYLE					
	DIMENSIONS			DOORS		SHELVES	DRAWERS	ASP	WS	R	WPG	WIN	HS
VSDB60	60"	34 1/2"	21"	4	L / R	0	3	♦	♦	♦	♦	♦	♦

# Appliance Garage



	W	H	D	AVAILABLE COLORS / STYLE					
	DIMENSIONS			ASP	MS	PS	WPG	NWN	HS
AG2418	24"	18"	12"	◆	◆	◆	◆	◆	◆

- (x2) 18- $\frac{1}{4}$ " door fronts.
- Designed for installation on countertop.
- Fits directly below a wall diagonal corner cabinet.
- There are no shelves in this cabinet.



# Corbels

	W	H	D	AVAILABLE COLORS / STYLE					
	DIMENSIONS			ASP	MS	PS	WPG	NWN	HS
CBLPN2	4 $\frac{3}{4}$ "	9 $\frac{1}{2}$ "	5"	◆	◆	◆	◆	◆	◆
CBLPN3	6 $\frac{1}{4}$ "	13 $\frac{1}{4}$ "	6 $\frac{1}{2}$ "	◆	◆	◆	◆	◆	◆

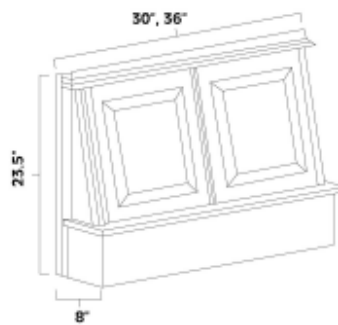


# Finished Floating Wall Shelves



	W	H	D	AVAILABLE COLORS / STYLE					
	DIMENSIONS			ASP	WS	IS	WPG	WIN	HS
FFS24	24"	2 ½"	10"	◆	◆	◆	◆	◆	◆
FFS30	30"	2 ½"	10"	◆	◆	◆	◆	◆	◆
FFS36	36"	2 ½"	10"	◆	◆	◆	◆	◆	◆
FFS42	42"	2 ½"	10"	◆	◆	◆	◆	◆	◆

# Range Hood Fronts



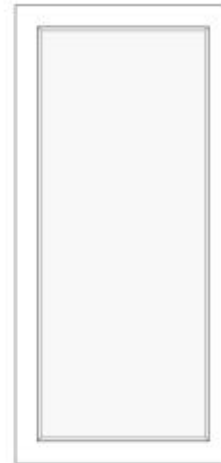
	W	H	D	AVAILABLE COLORS / STYLE					
	DIMENSIONS			ASP	WS	IS	WPG	WIN	HS
RHF30	30"	23 ½"	8"	◆	◆	◆	◆	◆	◆
RHF36	36"	23 ½"	8"	◆	◆	◆	◆	◆	◆

### Installation Notes:

- Before installation of the range hood front, the blower MUST be installed first and the depth adjusted using filler and/or panels to fit the blower.
- The range hood front MUST be installed between two cabinets for support.

# Single Plain Glass Doors

	DOOR REPLACEMENT FOR CABINET	W	H	AVAILABLE COLORS / STYLE						
		DIMENSIONS		ASP	WS	RS	WPG	WIN	SH	
PG1530	W1530	15"	30"		♦	♦			♦	♦
PG1536	W1536	15"	36"		♦	♦			♦	♦
PG1542	W1542	15"	42"		♦	♦			♦	♦
PG1830	W1830	18"	30"		♦	♦			♦	♦
PG1836	W1836	18"	36"		♦	♦			♦	♦
PG1842	W1842	18"	42"		♦	♦			♦	♦
PG2130	W2130	21"	30"		♦	♦			♦	♦
PG2136	W2136	21"	36"		♦	♦			♦	♦
PG2142	W2142	21"	42"		♦	♦			♦	♦



· Matches the profile/color of the selected door style.

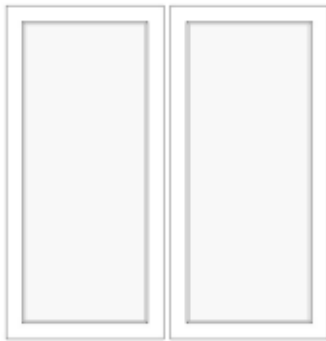
Note: The information following the PG in the SKU indicates the size/type of cabinet the door will fit.  
EX: PG1530 fits a W1530

# Diagonal Plain Glass Doors

	DOOR REPLACEMENT FOR CABINET	W	H	AVAILABLE COLORS / STYLE					
		DIMENSIONS		ASP	WS	RS	WPG	WIN	SH
PGWDC30	WDC2430	24"	30"	♦	♦	♦	♦	♦	♦
PGWDC36	WDC2436	24"	36"	♦	♦	♦	♦	♦	♦
PGWDC42	WDC2442	24"	42"	♦	♦	♦	♦	♦	♦



# Double Plain Glass Doors



· Matches the profile/color of the selected door style.

Note: The information following the PG in the SKU indicates the size/type of cabinet the door will fit.  
EX: PG2430 fits a W2430

	DOOR REPLACEMENT FOR CABINET	W	H	AVAILABLE COLORS / STYLE					
		DIMENSIONS		ASP	WS	PS	WPC	WIN	HS
PG2430	W2430	24"	30"		♦	♦		♦	♦
PG2436	W2436	24"	36"		♦	♦		♦	♦
PG2442	W2442	24"	42"		♦	♦		♦	♦

PG3030	W3030	30"	30"		♦	♦		♦	♦
PG3036	W3036	30"	36"		♦	♦		♦	♦
PG3042	W3042	30"	42"		♦	♦		♦	♦

PG3630	W3630	36"	30"		♦	♦		♦	♦
PG3636	W3636	36"	36"		♦	♦		♦	♦
PG3642	W3642	36"	42"		♦	♦		♦	♦

# Under Counter Drawers



	W	H	AVAILABLE COLORS / STYLE					
	DIMENSIONS		ASP	WS	PS	WPC	WIN	SH
UCD30	30"	7"	♦	♦	♦	♦	♦	♦
UCD36	36"	7"	♦	♦	♦	♦	♦	♦

- Drawer unit designed to be installed under counter to create a desk area.
- These drawers will install beside either vanity cabinets (21" depth)
- Or standard base cabinets (24" depth).

# Universal Roll Out Trays

	W	H	D	AVAILABLE COLORS / STYLE					
	DIMENSIONS			ASP	WS	PS	WPG	WIN	HS
ROT15	15"	3 1/2"	20 1/2"	◆	◆	◆	◆	◆	◆
ROT18	18"	3 1/2"	20 1/2"	◆	◆	◆	◆	◆	◆
ROT21	21"	3 1/2"	20 1/2"	◆	◆	◆	◆	◆	◆
ROT24	24"	3 1/2"	20 1/2"	◆	◆	◆	◆	◆	◆
ROT27	27"	3 1/2"	20 1/2"	◆	◆	◆	◆	◆	◆
ROT30	30"	3 1/2"	20 1/2"	◆	◆	◆	◆	◆	◆
ROT33	33"	3 1/2"	20 1/2"	◆	◆	◆	◆	◆	◆
ROT36	36"	3 1/2"	20 1/2"	◆	◆	◆	◆	◆	◆



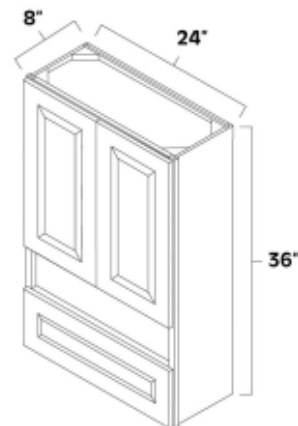
· May be used in any 24" deep cabinet.

### Installation:

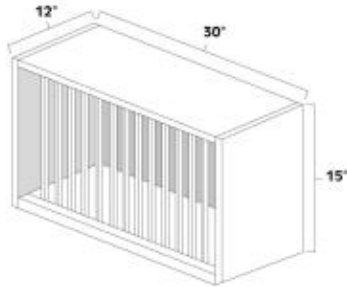
- For partial overlay cabinets, order according to the width of the cabinet.
- For full overlay cabinets, order according to the width of the cabinet if NOT being installed between hinges. If the roll out tray is to be installed between hinges, order one size smaller and use shims for installation. This is done so the tray will clear the hinges when opening.

# Toilet Topper Wall Cabinet

	W	H	D	AVAILABLE COLORS / STYLE					
	DIMENSIONS			ASP	WS	PS	WPG	WIN	HS
TT2436	24"	36"	8"		◆	◆	◆	◆	◆



A-5



# Plate Rack



	W	H	D	AVAILABLE COLORS / STYLE					
	DIMENSIONS			ASP	WS	PS	WPG	WIN	HS
PR3015	30"	15"	12"	◆	◆	◆	◆	◆	◆

· Will hold up to 10 plates.

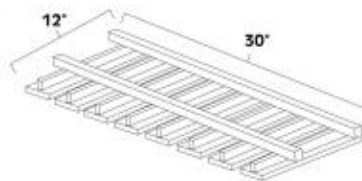
Note: Plate rack may be used inbetween wall cabinets.



# Stem Glass Holder

	W	H	D	AVAILABLE COLORS / STYLE					
	DIMENSIONS			ASP	WS	PS	WPG	WIN	HS
SGH	30"	2"	12"	◆	◆	◆	◆	◆	◆

- Holds six rows of glasses; 18 standard size wine glasses.
- Fitted to mount under any 30" wide standard wall cabinet, stacker cabinet or bridge wall cabinet.



Note: The stem glass holder may be cut to fit smaller cabinets.

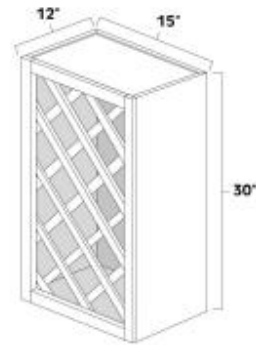
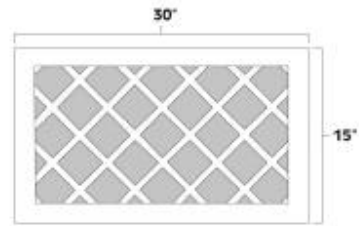


# Lattice Wine Rack

	W	H	D	AVAILABLE COLORS / STYLE					
	DIMENSIONS			ASP	WS	PS	WP	WN	SH
LWR3015	15"	30"	12"	◆	◆	◆	◆	◆	◆

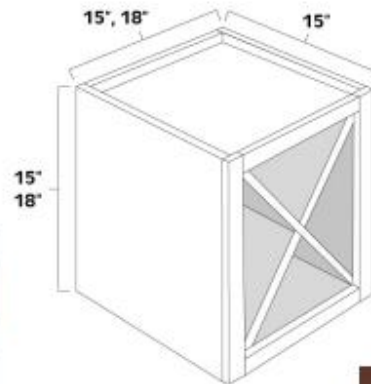
- Cabinet will hold up to 11 bottles 3-3/4" in diameter.

Note: This cabinet may be installed horizontally or vertically.



# Wine Storage Cube

	W	H	D	AVAILABLE COLORS / STYLE					
	DIMENSIONS			ASP	WS	PS	WP	WN	SH
WINEC1515	15"	15"	12"	◆	◆	◆	◆	◆	◆
WINEC1818	18"	18"	12"	◆	◆	◆	◆	◆	◆



# Decorative Wall End Panels

	W	H	THICK	AVAILABLE COLORS / STYLE					
	DIMENSIONS			ASP	MS	R	WPC	WIN	HS
DP1230	11"	27 5/8"	3/4"	♦	♦	♦	♦	♦	♦
DP1236	11"	33 5/8"	3/4"	♦	♦	♦	♦	♦	♦
DP1242	11"	39 5/8"	3/4"	♦	♦	♦	♦	♦	♦



# Decorative Base End Panels

	W	H	THICK	AVAILABLE COLORS / STYLE					
	DIMENSIONS			ASP	MS	R	WPC	WIN	HS
DP2430	22 7/8"	27 3/4"	3/4"	♦	♦	♦	♦	♦	♦

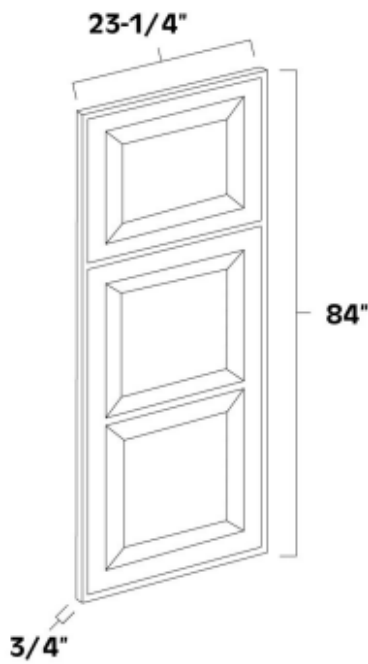


• Panels resemble the wall cabinet doors.

Note: The last two digits in the item number indicate the height of the wall cabinet the panel will fit.  
EX: DP1230 will fit the side of a W1230 wall cabinet.

\* Sizing may vary slightly per color/style.

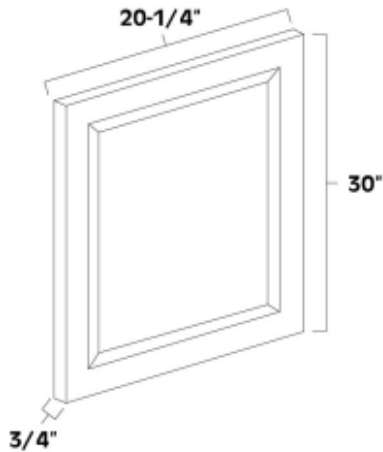




## Decorative Tall End Panels

	W	H	THICK	AVAILABLE COLORS / STYLE					
	DIMENSIONS			ASP	MS	PS	WPG	WIN	HS
MTEP84	23 1/4"	84"	3/4"		♦	♦	♦	♦	♦
MTEP90	23 1/4"	90"	3/4"		♦	♦	♦	♦	♦
MTEP96	23 1/4"	96"	3/4"		♦	♦	♦	♦	♦

· Matches the profile/color of the selected door style.



## Decorative Vanity End Panels

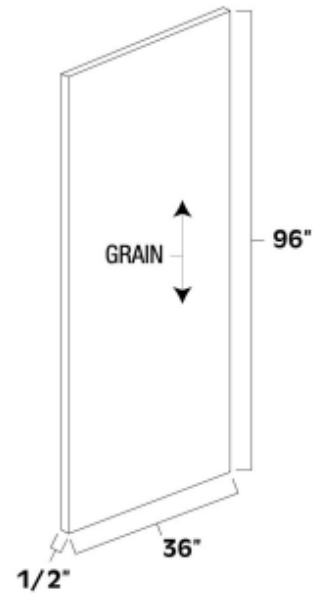
	W	H	THICK	AVAILABLE COLORS / STYLE					
	DIMENSIONS			ASP	MS	PS	WPG	WIN	HS
MVEPBH	20 1/2"	30"	3/4"		♦	♦	♦	♦	♦

· Matches the profile/color of the selected door style.

# Island Panel

	W	H	THICK	AVAILABLE COLORS / STYLE					
	DIMENSIONS			ASP	WS	R	WRG	WN	HS
IS3696	36"	96"	1/2"	◆	◆	◆	◆	◆	◆

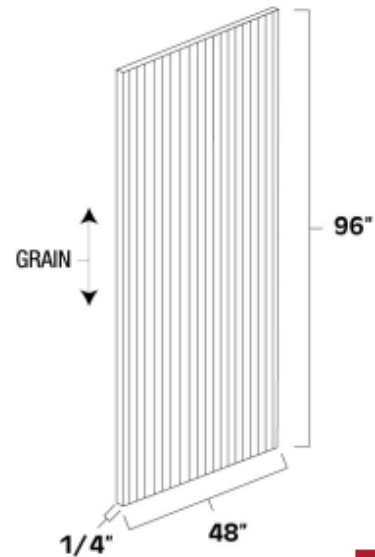
· May be trimmed to desired height and/or width.

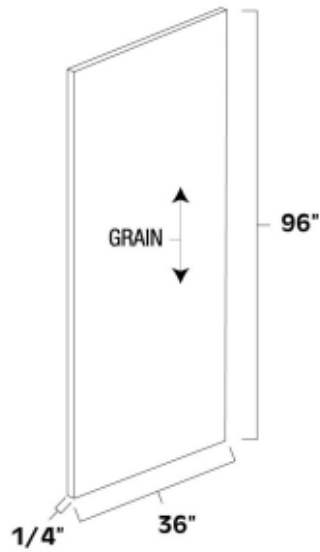


# Bead Board

	W	H	THICK	AVAILABLE COLORS / STYLE					
	DIMENSIONS			ASP	WS	R	WRG	WN	HS
BBFBP4896	48"	96"	1/4"		◆	◆	◆	◆	◆

· May be trimmed to desired height and/or width.

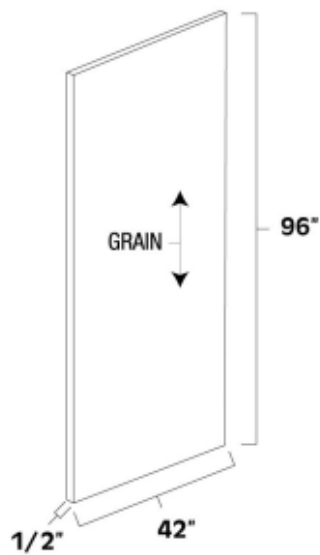




# Stained Plywood Panel

	W	H	THICK	AVAILABLE COLORS / STYLE					
	DIMENSIONS			ASP	WS	PS	WPG	WIN	SH
SPW	36"	96"	1/4"	♦	♦	♦	♦	♦	♦

· May be trimmed to desired height and/or width.



# Edgebanded Plywood Panel

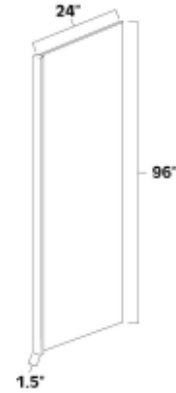
	W	H	THICK	AVAILABLE COLORS / STYLE					
	DIMENSIONS			ASP	WS	PS	WPG	WIN	SH
PLYEB42	42"	96"	1/2"		♦	♦	♦	♦	♦

· May be trimmed to desired height and/or width.

# Refrigerator End Panel

	W	H	THICK	W	AVAILABLE COLORS / STYLE					
	DIMENSIONS			FRONT TRIM	ASP	WS	PS	WPG	WIN	HS
REP9624	24"	96"	1/2"	1 1/2"	◆	◆	◆	◆	◆	◆

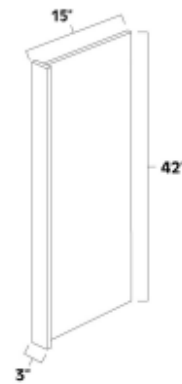
- May be trimmed to desired height and/or width.
- Panel is finished on both sides.



# Wall End Panel

	W	H	THICK	W	AVAILABLE COLORS / STYLE					
	DIMENSIONS			FRONT TRIM	ASP	WS	PS	WPG	WIN	HS
WEP1542	15"	42"	1/2"	3"	◆	◆	◆	◆	◆	◆

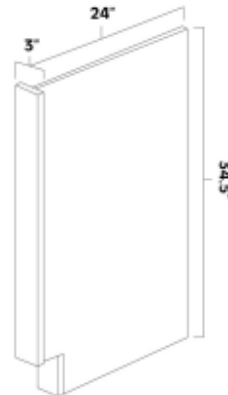
- May be trimmed to desired height and/or width.
- May be used either left or right side of cabinet.

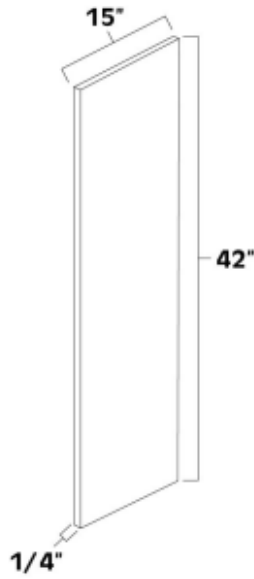


# Base End Panel

	W	H	THICK	W	AVAILABLE COLORS / STYLE					
	DIMENSIONS			FRONT TRIM	ASP	WS	PS	WPG	WIN	HS
BEP3	24"	34 1/2"	1/2"	3"	◆	◆	◆	◆	◆	◆

- May be used either left or right side of cabinet.

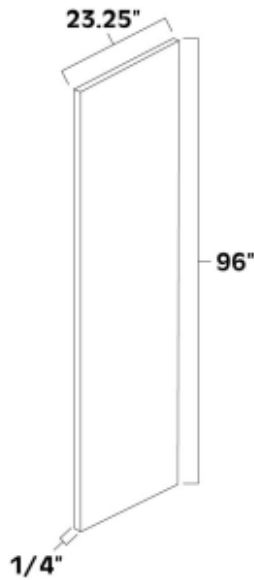




# Wall Skin Panel

	W	H	THICK	AVAILABLE COLORS / STYLE					
	DIMENSIONS			ASP	WS	PS	WPG	WIN	HS
WS1542	15"	42"	1/4"	◆	◆	◆	◆	◆	◆

· May be trimmed to desired height and/or width.



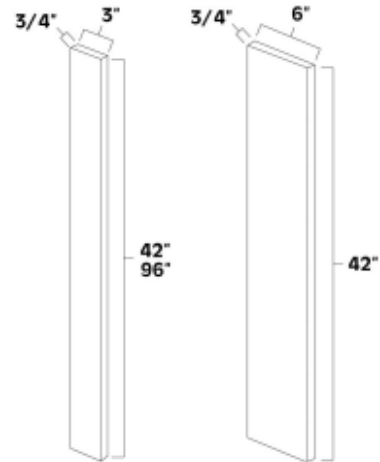
# Tall Skin Panel

	W	H	THICK	AVAILABLE COLORS / STYLE					
	DIMENSIONS			ASP	WS	PS	WPG	WIN	HS
TS2496	24"	96"	1/4"					◆	◆

· May be trimmed to desired height and/or width.

# Wall Fillers

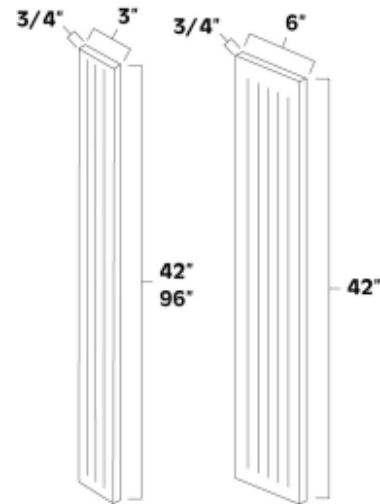
	W	H	THICK	AVAILABLE COLORS / STYLE					
	DIMENSIONS			ASP	WS	RS	WPG	WIN	HS
WF342	3"	42"	3/4"	♦	♦	♦	♦	♦	♦
WF642	6"	42"	3/4"	♦	♦	♦	♦	♦	♦
WF396	3"	96"	3/4"	♦	♦	♦	♦	♦	♦



· May be trimmed to desired height and/or width.

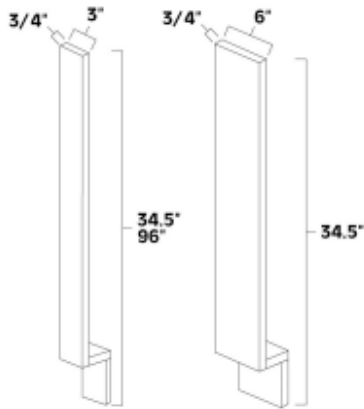
# Fluted Wall Fillers

	W	H	THICK	TOTAL	AVAILABLE COLORS / STYLE					
	DIMENSIONS			FLUTES	ASP	WS	RS	WPG	WIN	HS
WFF342	3"	42"	3/4"	3	♦	♦	♦	♦	♦	♦
WFF642	6"	42"	3/4"	5	♦	♦	♦	♦	♦	♦
WFF396	3"	96"	3/4"	3	♦	♦	♦	♦	♦	♦



· May be trimmed to desired height and/or width.  
 · Flutes begin 1.5" from the top and end 1.5" from the bottom.

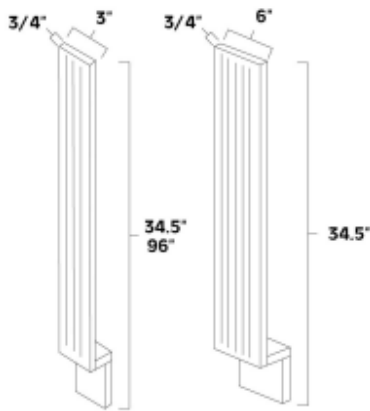




# Base Fillers

	W	H	THICK	AVAILABLE COLORS / STYLE					
	DIMENSIONS			ASP	MS	SP	WPC	MIN	SH
BF3	3"	34 1/2"	3/4"	♦	♦	♦	♦	♦	♦
BF6	6"	34 1/2"	3/4"	♦	♦	♦	♦	♦	♦
TF396	3"	96"	3/4"	♦	♦	♦	♦	♦	♦

· May be trimmed to desired height and/or width.

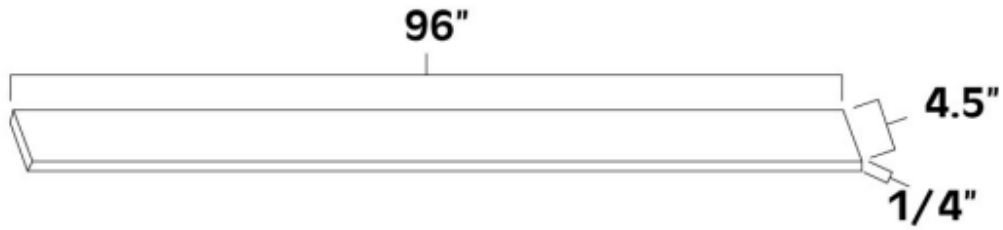


# Fluted Base Fillers

	W	H	THICK	TOTAL	AVAILABLE COLORS / STYLE					
	DIMENSIONS			FLUTES	ASP	MS	SP	WPC	MIN	SH
BFF3	3"	34 1/2"	3/4"	3	♦	♦	♦	♦	♦	♦
BFF6	6"	34 1/2"	3/4"	5	♦	♦	♦	♦	♦	♦
TFF396	3"	96"	3/4"	3	♦	♦	♦	♦	♦	♦

- May be trimmed to desired height and/or width.
- Flutes begin 1.5" from the top and end 1.5" from the bottom.
- The toe kick area is not fluted.

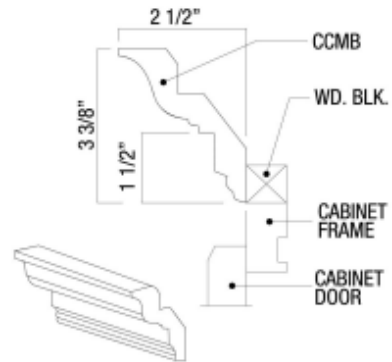
# Toe Kick



	H	H	THICK	AVAILABLE COLORS / STYLE					
	DIMENSIONS			ASP	WS	PS	WPC	WIN	HS
TK8	4 1/2"	96"	1/4"	◆	◆	◆	◆	◆	◆

· May be trimmed to desired height and/or width.

# Crown Molding

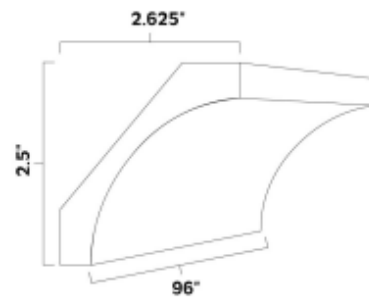


	D	H	L	AVAILABLE COLORS / STYLE					
	DIMENSIONS			ASP	WS	PS	WD	NM	SH
LCM8	2 1/2"	3 3/8"	96"	◆	◆	◆	◆	◆	◆

- Flat section on moulding may be used to accommodate the rope insert molding.
- May be trimmed to desired length.

Note: When applying crown moulding to full overlay cabinets, a crown backer will be required.

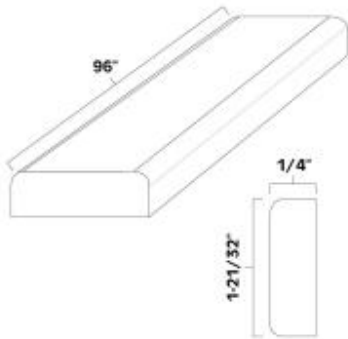
# Cove Crown Molding



	D	H	L	AVAILABLE COLORS / STYLE					
	DIMENSIONS			ASP	WS	PS	WD	NM	SH
LVC	2 1/2"	2 5/8"	96"		◆	◆		◆	◆

- May be trimmed to desired length.

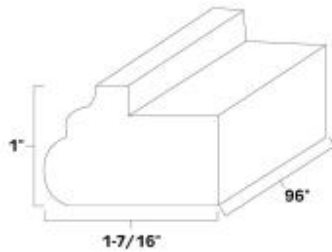
Note: When applying crown moulding to full overlay cabinets, a crown backer will be required.



## Batten Molding

	H	L	THICK	AVAILABLE COLORS / STYLE					
	DIMENSIONS			ASP	WS	PS	WPG	WIN	HS
BM8	1 21/32"	96"	1/4"	♦	♦	♦	♦	♦	♦

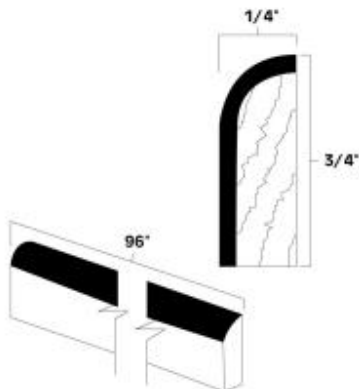
· May be trimmed to desired length.



## Light Rail Molding

	W	H	L	AVAILABLE COLORS / STYLE					
	DIMENSIONS			ASP	WS	PS	WPG	WIN	HS
LRM8	1 7/16"	1"	96"	♦	♦	♦	♦	♦	♦

· May be trimmed to desired length.



## Scribe Molding

	H	L	THICK	AVAILABLE COLORS / STYLE					
	DIMENSIONS			ASP	WS	PS	WPG	WIN	HS
SM8	3/4"	96"	1/4"	♦	♦	♦	♦	♦	♦

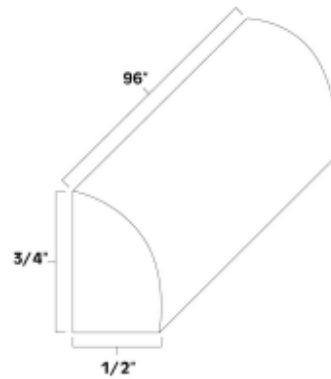
· For use behind a light rail moulding when wrapping around the side of a cabinet.

M-2

# Shoe Molding

	H	L	THICK	AVAILABLE COLORS / STYLE					
	DIMENSIONS			ASP	WS	PS	WPG	WIN	HS
SHM8	3/4"	96"	1/2"	♦	♦	♦	♦	♦	♦

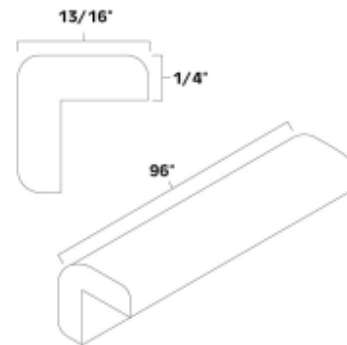
· May be trimmed to desired height and/or width.



# Outside Corner Molding

	H	L	THICK	AVAILABLE COLORS / STYLE					
	DIMENSIONS			ASP	WS	PS	WPG	WIN	HS
OCS8	13/16"	96"	1/4"	♦	♦	♦	♦	♦	♦

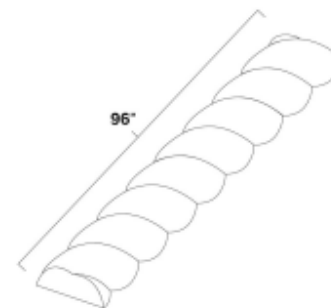
· May be trimmed to desired length.



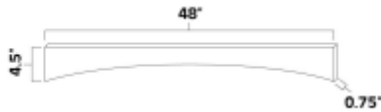
# Rope Insert Molding

	H	L	THICK	AVAILABLE COLORS / STYLE					
	DIMENSIONS			ASP	WS	PS	WPG	WIN	HS
ROPE8	9/16"	96"	1/4"	♦	♦	♦	♦	♦	♦

· May be trimmed to desired length.  
· Crown moulding insert.



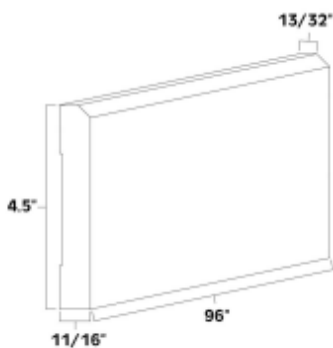
# Arched Valance



	H	L	THICK	AVAILABLE COLORS / STYLE					
	DIMENSIONS			ASP	WS	PS	WPC	NIN	SH
VA48	4 1/2"	48"	3/4"	♦	♦	♦	♦	♦	♦

· May be trimmed down to size needed.

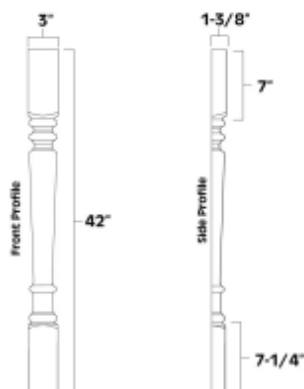
# Decorative Base Molding



	H	L	THICK	AVAILABLE COLORS / STYLE					
	DIMENSIONS			ASP	WS	PS	WPC	NIN	SH
DEC004	4 1/2"	96"	11/16"	♦	♦	♦	♦	♦	♦

· May be trimmed to desired length.

# Decorative Split Leg Molding



	W	H	THICK	AVAILABLE COLORS / STYLE					
	DIMENSIONS			ASP	WS	PS	WPC	NIN	SH
SCDL	3"	42"	1 3/8"	♦	♦	♦	♦	♦	♦